



TECHNICAL DATA

TYPE

Professional LED for **Outdoor Lighting**.

CHARACTERISTICS

Can be used in public place.

OPENING/BEAM

High efficiency Ra>80 LED .

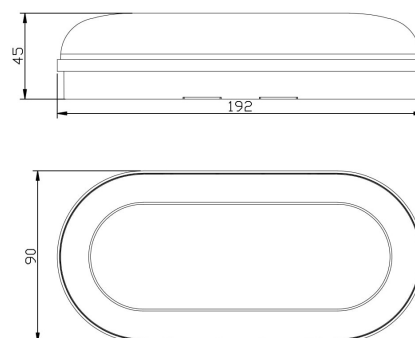
MATERIAL

Plastic polycarbonate



DIMENSION DRAW

Model:	Luli 12
Format:	Oval
Location:	Exterior
Wattage:	12W
Materials:	Plastic
Led Color:	3000K / 4000K / 6500K
Product Dimension:	192*90mm
IP Code:	65
Fixation:	Wall
CRI :	80
Lumen Output:	960LM
Frequency:	50/60 Hz
Beam Angle:	L°



OUTDOOR